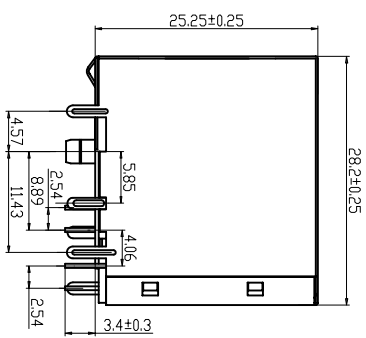
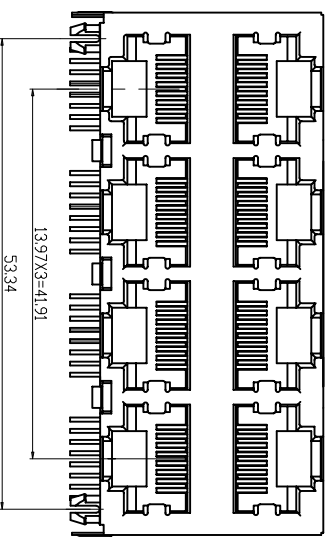


CATEGORY	DESCRIPTION	P/N #
CONNECTOR	Modular Jack, 8P8C, 2X4PORT	MJ5988-BX24-RF4

REV.	ECN NO	DESCRIPTION	REVISED	DATE
A01	—	New Release	GMC	2010.08.28



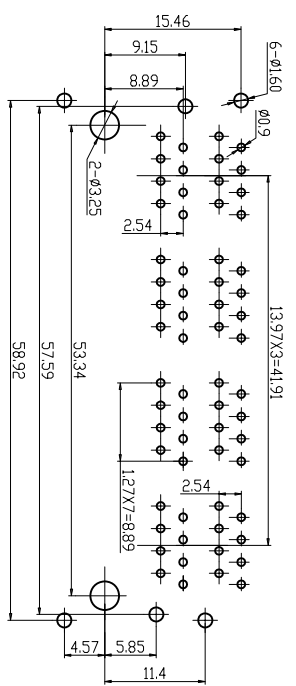
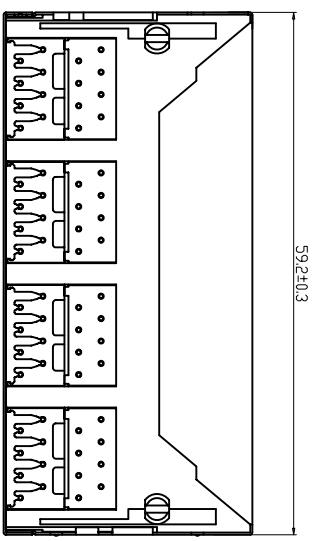
- SPECIFICATIONS:
1. Voltage: 150V AC RMS
  2. Current Rating: 1.5A
  3. Contact Resistance: 30mΩ MAX.
  4. Insulation Resistance: 500MΩ MIN.
  5. Dielectric Withstand Voltage :1000V AC
  6. Operate Temperature: -40°C~80°C
  7. Durability: 500 Mating Cycles MIN.

Part No.: MJ5988-BX24-RF4

Material & Plating

Table 1

X	Terminal Plating
0	Au 1u" Plating
1	Au 3u" Plating
2	Au 6u" Plating
3	Au 15u" Plating
4	Au 30u" Plating
5	Au 50u" Plating



PC Board Layout

c	Shielding	1	Brass	Ni Plating	
b	Terminal	8	Phosphor Bronze	Terminal Plating	
a	Housing	1	PBT UL94V-0	See Color Scheme	
NO.	PART NAME	Q'TY	MATERIAL	PLATING & COLOR	Remark

UNLESS OTHERWISE SPECIFIED TOLERANCES	DECIMALS:	ANGLES:
	±0.5	±2°
	±0.3	±1'
	±0.2	

**Product Drawing**  
Dongguan Hejing Electronic Co.,LTD

SCALE: 1/1	UNIT: mm	DWG.NO:	WI-061-751
SIZE: A3	PAGE: 1 OF 1	REV: A01	
APPROVED BY	CHECKED BY	PREPARED BY	
TONY	WZ	WZ	
CUSTOMER COPY			